



Microcom Design, Inc.

Environmental Sensor Logger With Com Ports GTX-1.0-N-D



General Description

The GTX-1-N-D is a flexible data logger with extensive sensor input options, data storage, display / keyboard, and memory options.

The sensor input may be programmed to acquire data from 128 or more sensors. These sensors may have analog, digital, SDI-12, frequency, and counter type outputs.

The system is expandable to economically operate with small number of sensors or may have external and internal expansion to accommodate as many as 128 variables. Each parameter is individually programmable. Data is stored in circular files that are individually time stamped.

Data may be recovered by direct download to the serial port either in expanded or compressed format. The user may select the data of interest by filtering for parameter and or time interval.

Power consumption is usually less than 30 milliwatts depending on sensor activity.

The GTX-1.0-N-D can operate as a logger only or with a number of communications options. The options of VSAT, GPRS, and 900 MHz Spread Spectrum are bidirectional. Others such as INSAT, GOES, and ARGOS are transmit only.

Standard internal memory is 1 MByte of flash non-volatile memory which accommodates about 250,000 readings. The optional USB memory expansion expands to 4 GByte files or 1000 Meg sensor readings. Memory is removable so download is done by user USB swap. Set up programs may also be loaded from the USB memory. The USB memory may be operated in several modes. The first is by users to download internal data. The second mode is as an extended memory where data is periodically moved to the USB memory so that there is a very large local memory available.

Data and commands are also available via two additional communication ports.

All facets of operation are set up using the Windows compatible Utility. Using the Keypad and display the user has access to the same functions as available in the Utility. Simple commands allow local users to easily access such data as time and latest sensor reading.

Time is managed via GPS and TCXO to maintain millisecond level time synchronization. A back up battery maintains time when the main battery is changed. Back up battery is activated by the user. Greater than 10 year life is expected from the back up battery.

Microcom Design, Inc.
10948 Beaver Dam Road
Hunt Valley, MD, USA 21030
Tel: (410) 771-1070
Fax: (410) 771-0018
Email: sales@microcomdesign.com

Microcom Florida
Air-Sea Monitoring Systems
656-E Capital Circle, NE
Tallahassee, FL, USA 32301
Tel: (850) 325-1865
Email: sales@microcomdesign.com

Microcom Canada
Omnimatrix
3465 Rue Ashby
Saint Laurent, QC H4R 2K3
Tel: (514) 684-1004
Fax: (514) 697-0400
Email: roger@omnimatrix.com

Microcom Brazil
SIMTECH Representações Ltda
Praça Pio X, 55 – SI 903, Candelária
Rio de Janeiro, RJ 20040-020, Brasil
Tel: 21 2506 5900
Fax: 21 2240 1242
E-mail: simtech@simtech.com.br



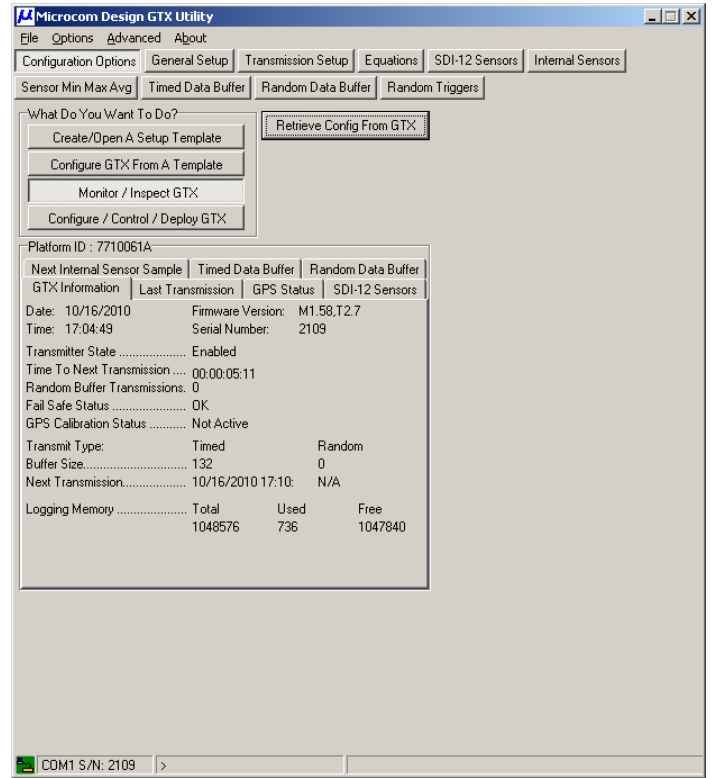
Microcom Design, Inc.

GTX-1.0-N-D Features and Specifications

Key Features:

- All operating functions set up with Windows Compatible Utility
- Stored templates allow easy use of predefined set ups
- Expandable I/O to 128 parameters
- LCD Display and Key pad options
- Optional USB memory expansion port to 4 GByte
- 16 Bit ADC quad analog input, 4 SE or differential configuration
- Full algebraic and transcendental math capability
- Logical function such as IF-THEN capability
- NEMA enclosure Options
- ½ amp switched 12 volt power
- Time keeping with GPS synchronization
- IP 65 with optional NEMA enclosure
- Communications options of:
 - GPRS, cell phone
 - Satellite (GOES, INSAT, METEOSAT, ARGOS)
 - Short range radio (900 / 2400 MHz) Spread Spectrum
 - VSAT

Set Up Utility GUI Monitor Screen



General Specifications:

Vdc Power: 12.5 nominal
10.6 to 18.0 volts

Vdc Protection: Reverse and OVP at 18 volts

Battery Current: 2. mA quiescent
30 mA during GPS use

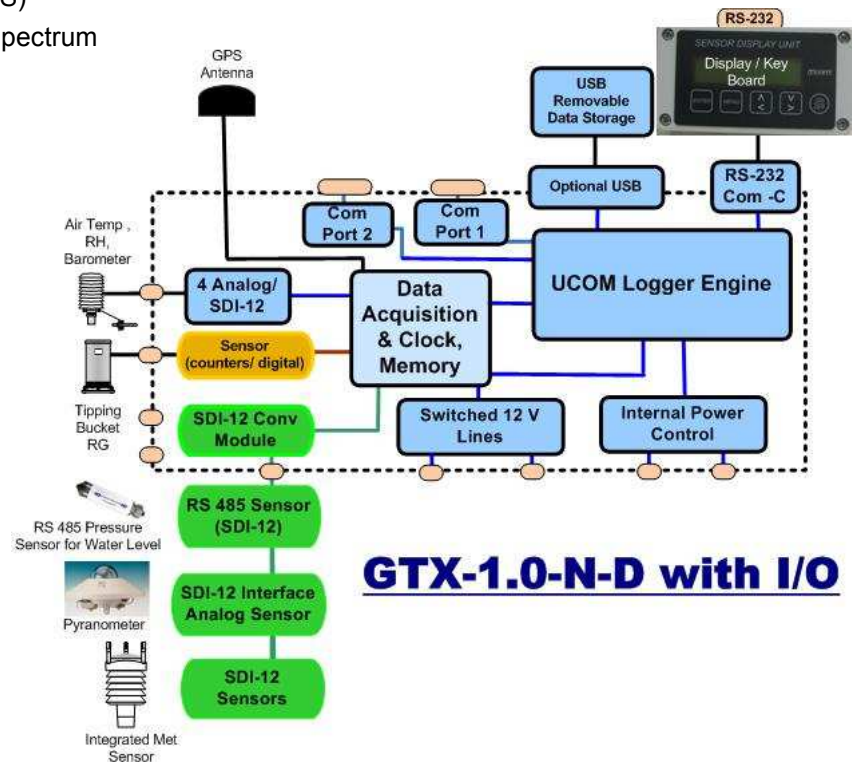
Temperature: -50° to +70° C

Time Stability: ±0.1 PPM typical
±0.25 PPM maximum

Humidity: 0 to 99% RH non condensing

Size: 6.6" W X 9" L X 1.5" H

Weight: 2 Lbs



GTX-1.0-N-D with I/O