



Microcom Design, Inc.

Soil Temperature Probe

Model STX

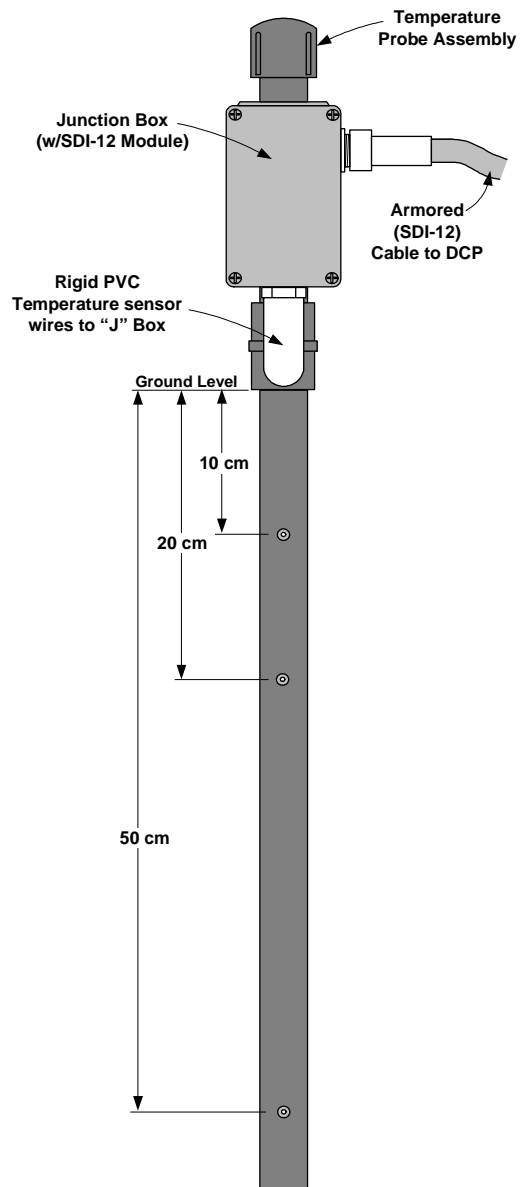
P/N: SM-109-ST



The Microcom Soil Temperature Probe STX measures the temperature at three different levels, typically 10, 20 & 50cm. Custom measuring levels are available (contact factory). The Soil Temperature Probe is in a configuration to allow for easy insertion into a 1.25" augered hole for the measurement temperature in undisturbed soil. The STX is constructed to withstand long deployments in a variety of soil types. SDI-12 output makes the STX ideal for utilizing long cable runs from the STX to the datalogger and multiple STX's can be connected with a single cable (3-conductor) run.

Output: SDI-12

:



Microcom Design, Inc.

10948 Beaver Dam Road
Hunt Valley, MD, USA 21030
Tel: (410) 771-1070
Fax: (410) 771-0018

E-mail: sales@microcomdesign.com

Microcom Design Inc.

656-E Capital Circle, NE
Tallahassee, FL, USA 32301
Tel: (850) 325-1865

Email: sales@microcomdesign.com

Microcom Canada

Omnimetrix
3465 Ashby
Saint Laurent, QC H4R 2K3
Tel: (514) 684 1004
Fax: (514) 697 0400

Email: roger@omnimetrix.com

Microcom Brazil

Simtech Representacoes LTDA
Rua do Mercado 17/14 andar Centro
Rio de Janeiro, Brazil CEP 20010-120
Tel: 21 2506 5900
Fax: 21 2240 1242

E-mail: simtech@simtech.com.br